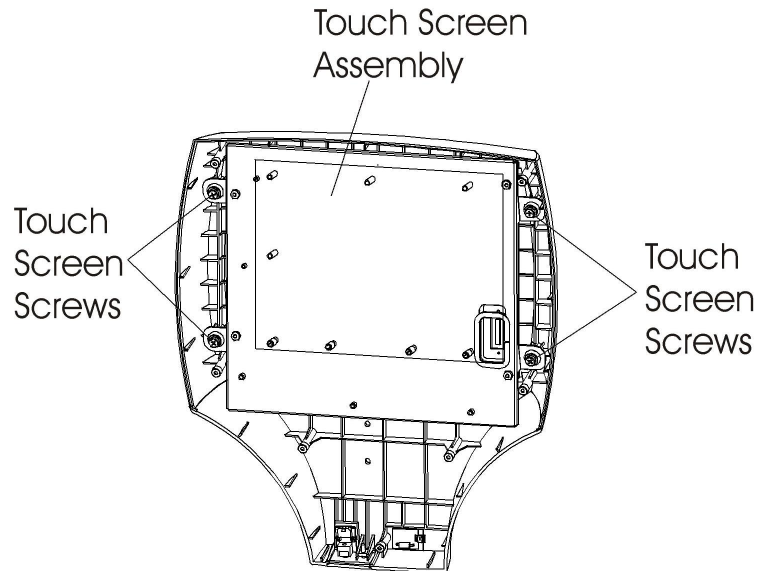


Life Fitness Cross-Trainers 90X, 93X, 95Xe, and 95Xi How To... Replace the Touch Screen Assembly

Special Service Tools Required: NONE

CAUTION! BEFORE REPLACING CIRCUIT BOARD(S), GROUND YOURSELF TO THE MACHINE USING AN ANTI-STATIC GROUND STRAP.

1. Remove the Console. See "How To..." in this section.
2. Remove the Console Back Cover. See "How To..." in this section.
3. Remove the Single Board Computer. See "How To..." in this section.
4. Remove the Interface Board. See "How To..." in this section.
5. Remove the Inverter Board. See "How To..." in this section.



6. Remove four screws securing the Touch Screen Bracket Assembly to the bezel Assembly. Remove the Touch Screen Assembly from the Console.
7. Remove the four nuts securing the LCD/touch screen to the bracket then separate the bracket from the assembly.
8. Install new Touch Screen in reverse order.

